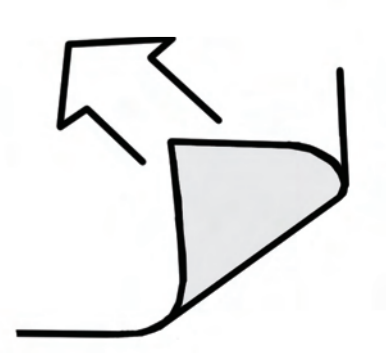
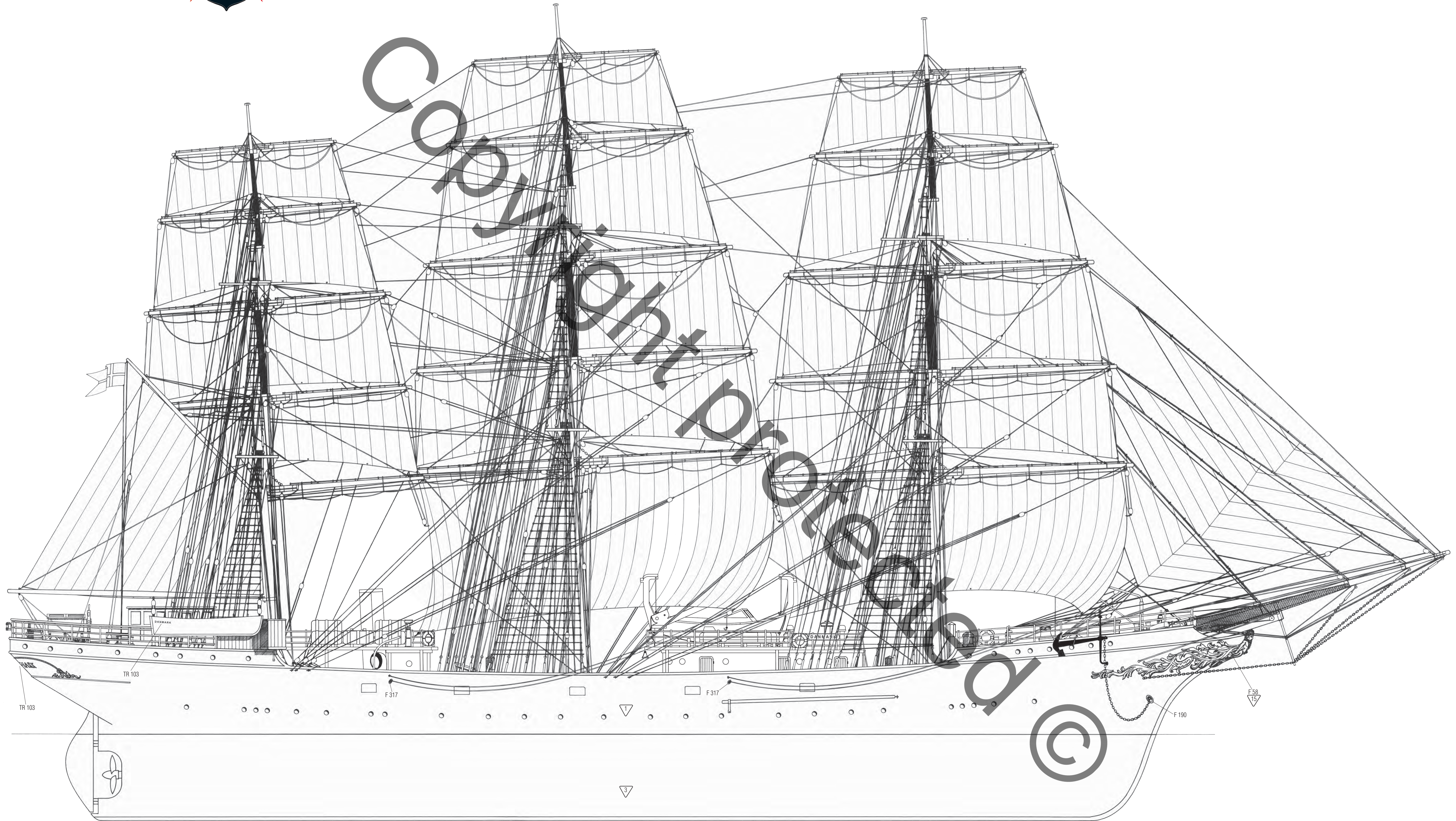


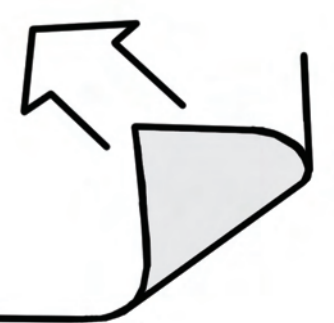
Drawn by:	S.S.H.	Billing Boats - Denmark
Date:	17.04.09.	
Scale:	<b>Danmark „5005,, Plan 1</b>	Drawing no.
1:75		50-50022





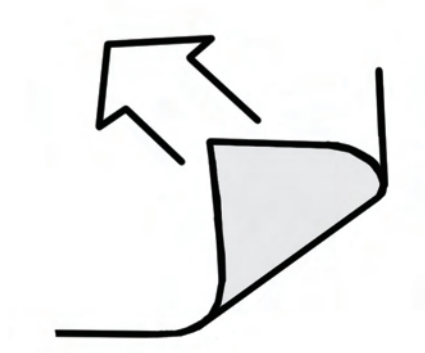
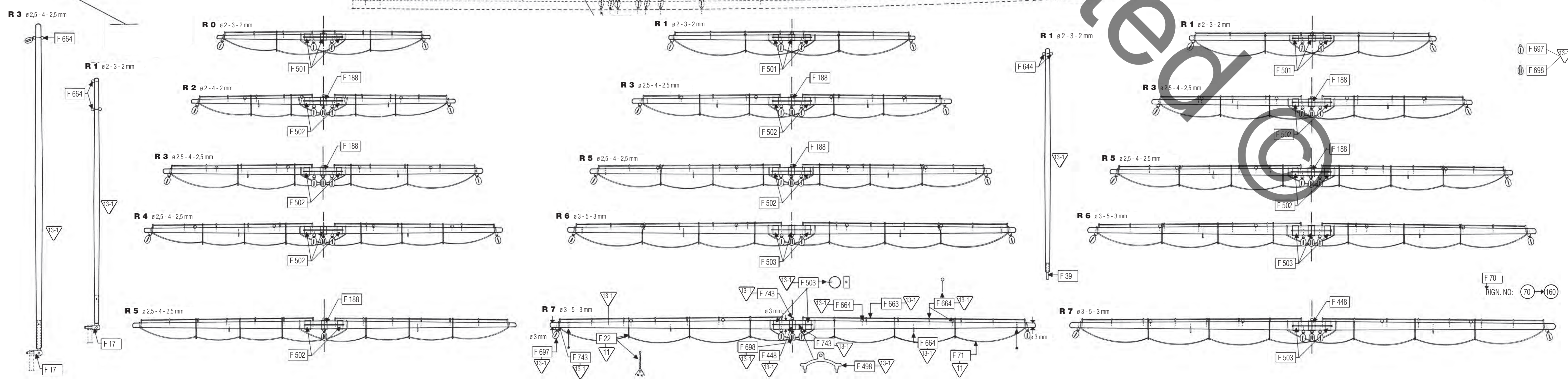
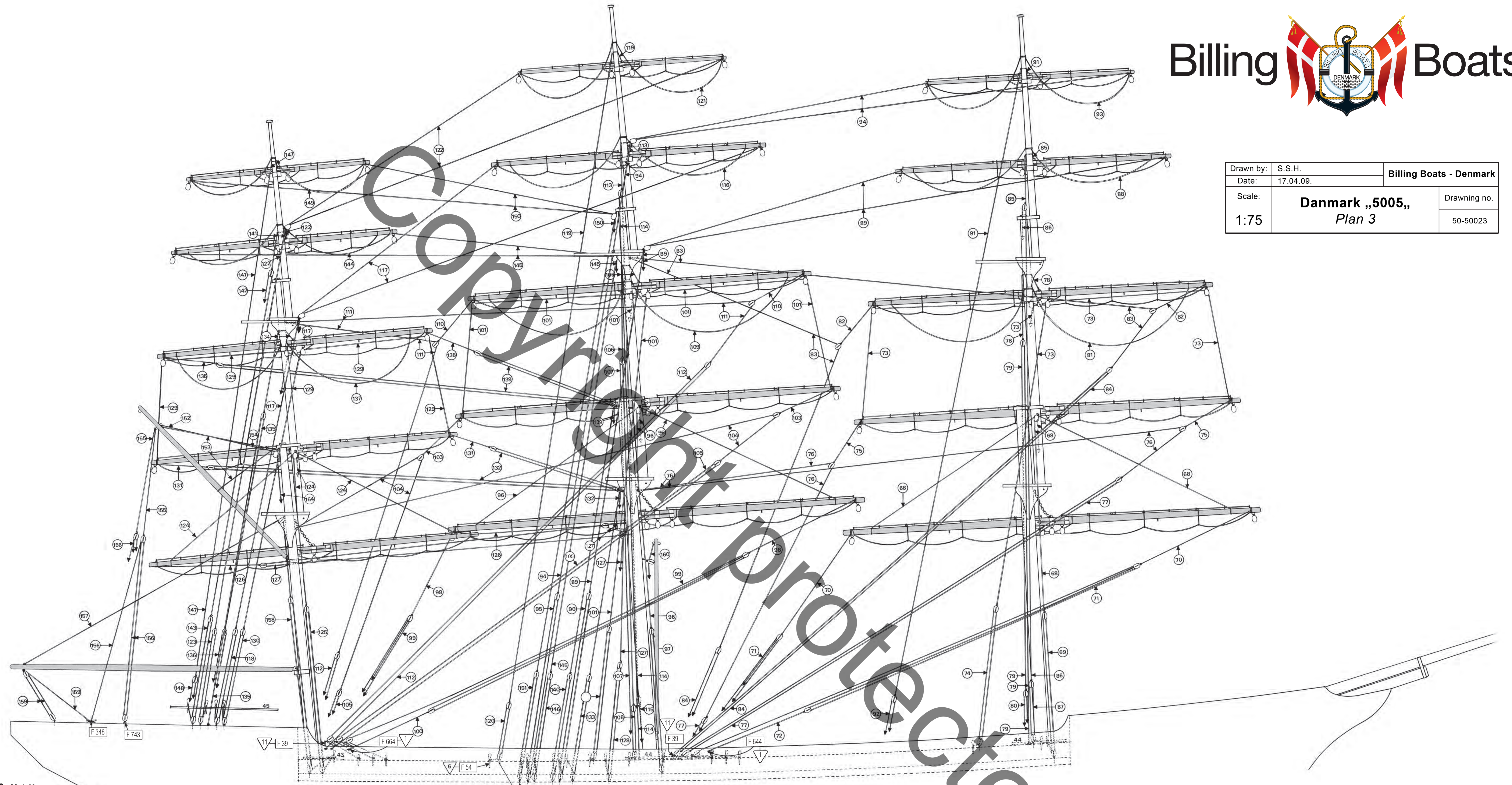


Drawn by:	S.S.H.	Billing Boats - Denmark
Date:	17.04.09.	
NOT IN SCALE	<b>Danmark „5005,, Plan 2</b>	Drawing no. 50-50022



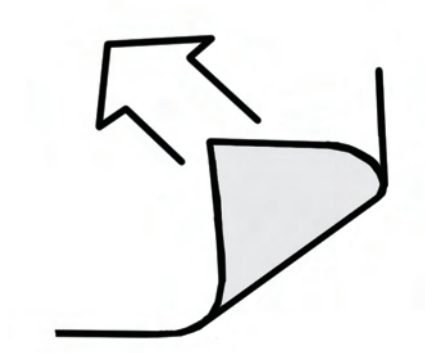
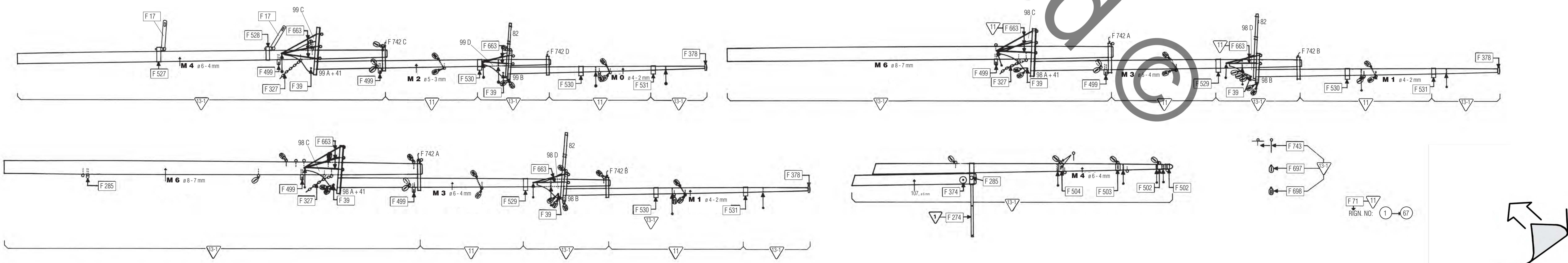
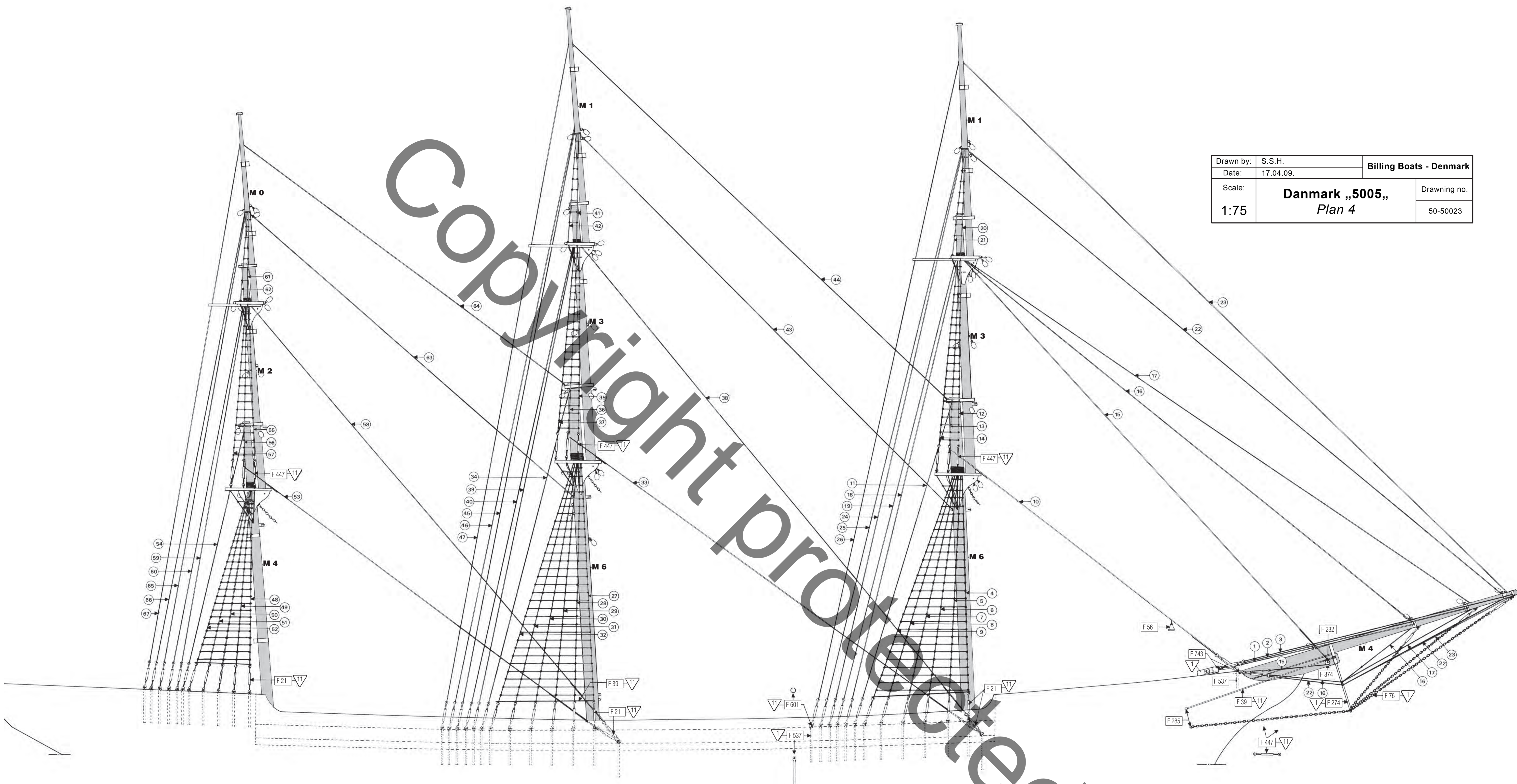


Drawn by:	S.S.H.	Billing Boats - Denmark
Date:	17.04.09.	
Scale:	Danmark „5005,, Plan 3	Drawing no.
1:75		50-50023



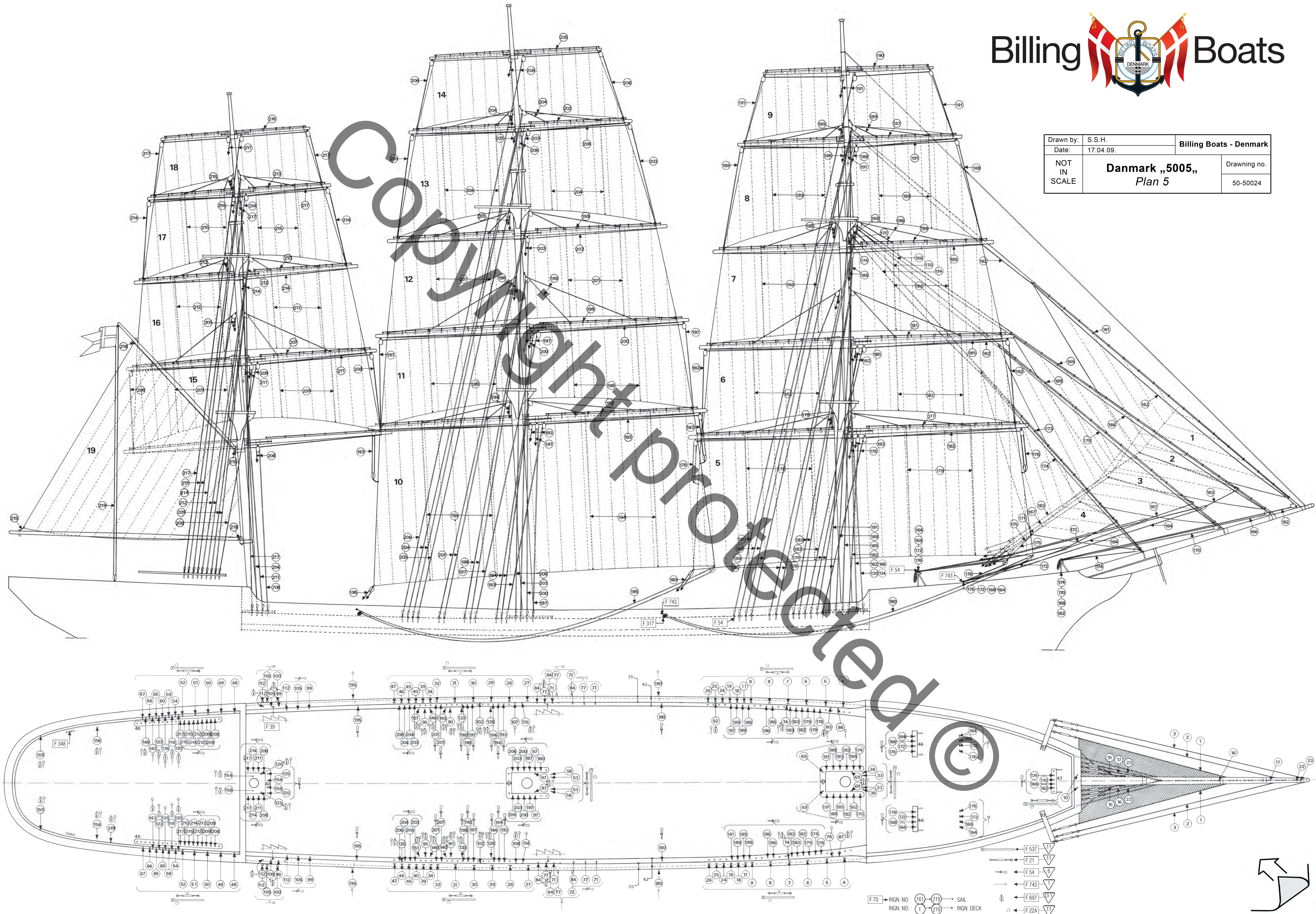


Drawn by:	S.S.H.	Billing Boats - Denmark
Date:	17.04.09.	
Scale:	Danmark „5005,, Plan 4	Drawing no.
1:75		50-50023

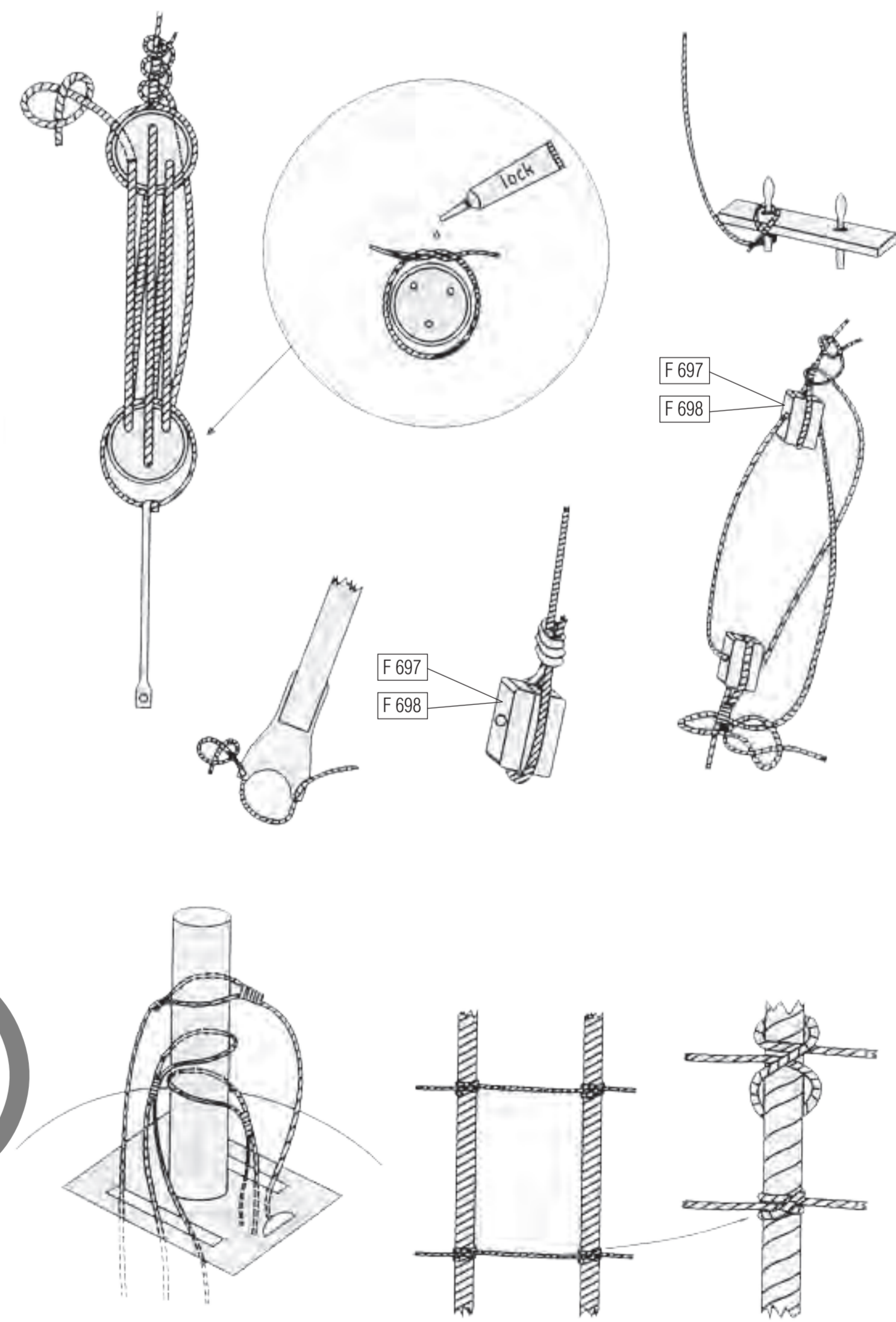
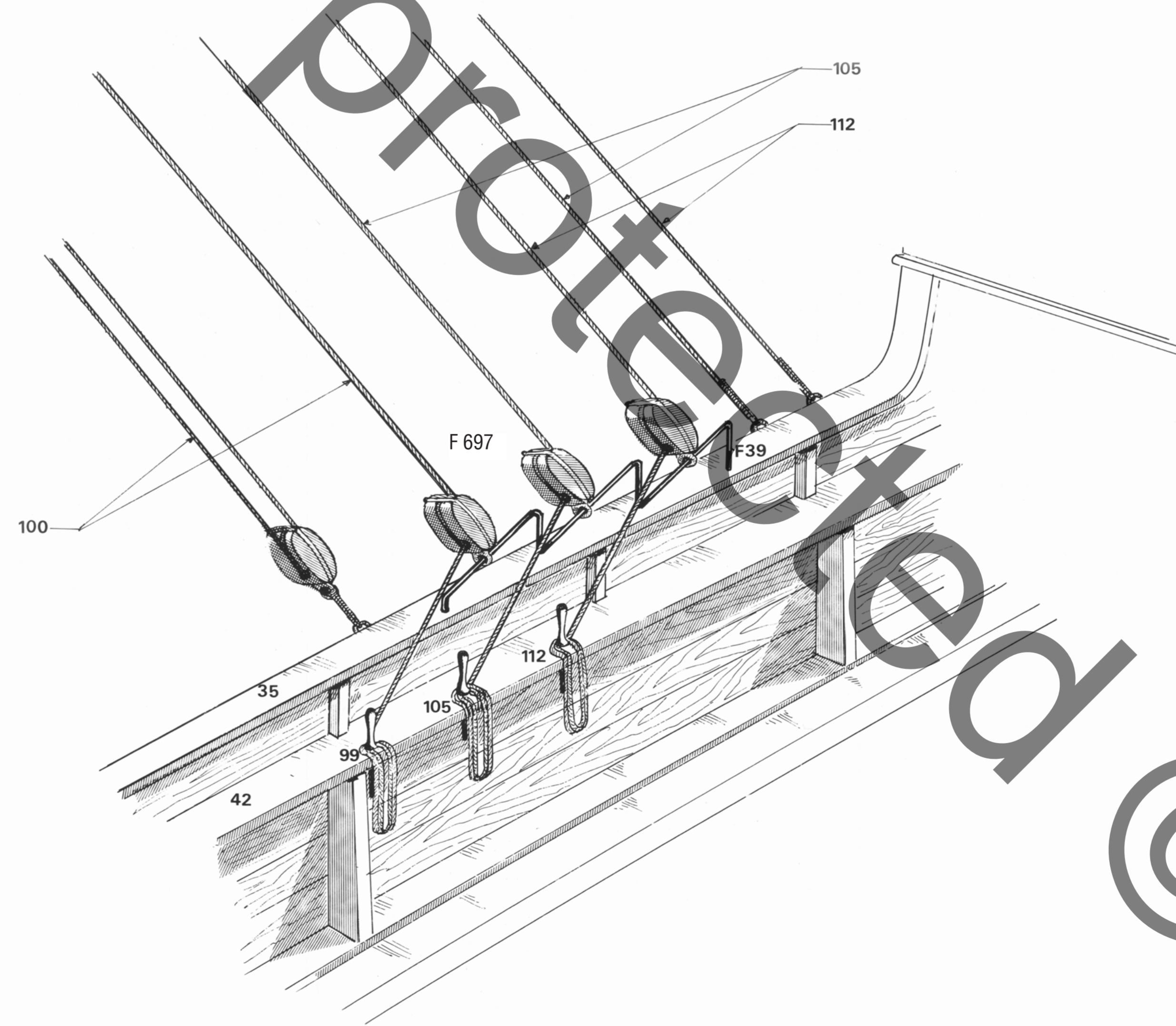
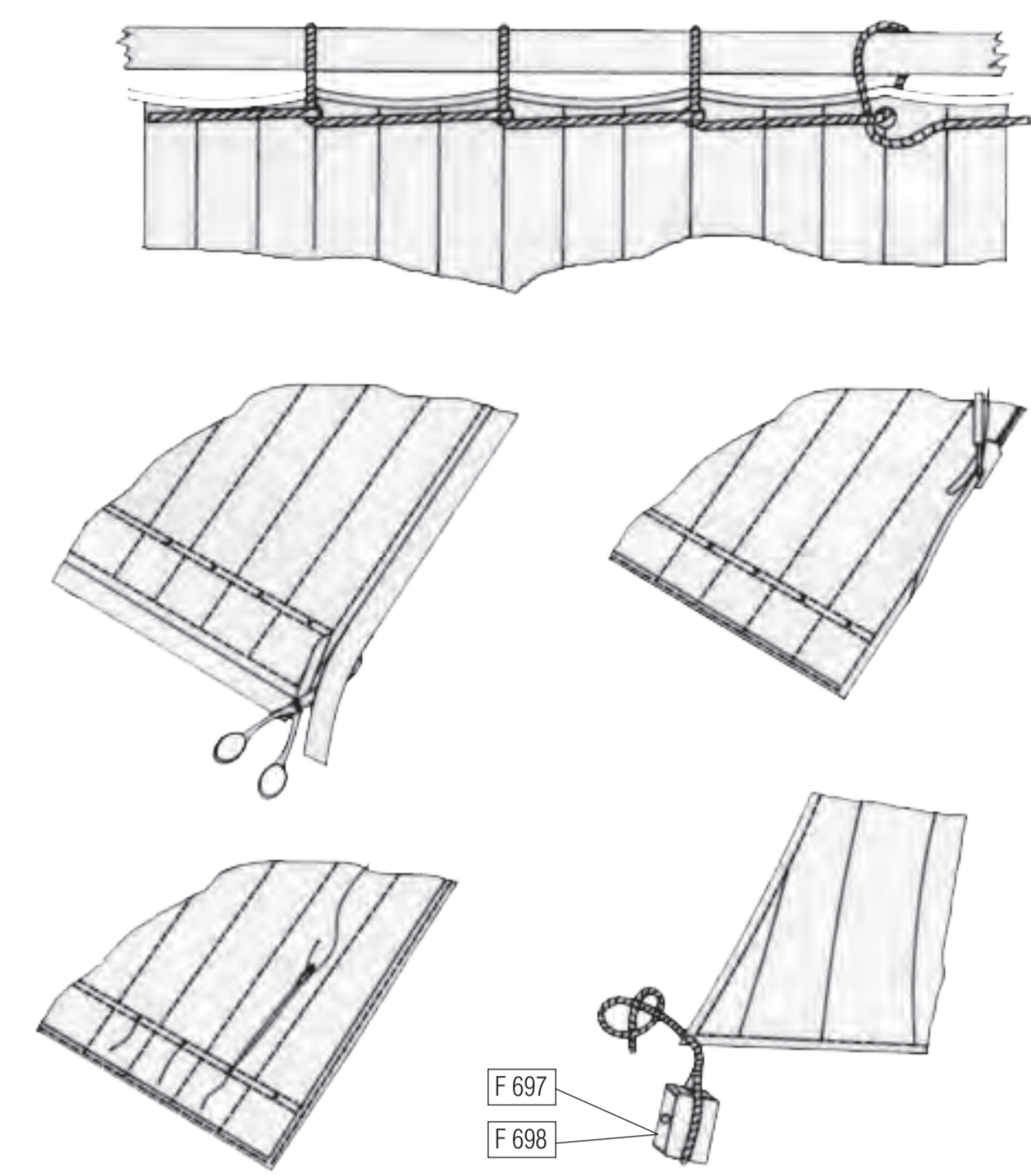
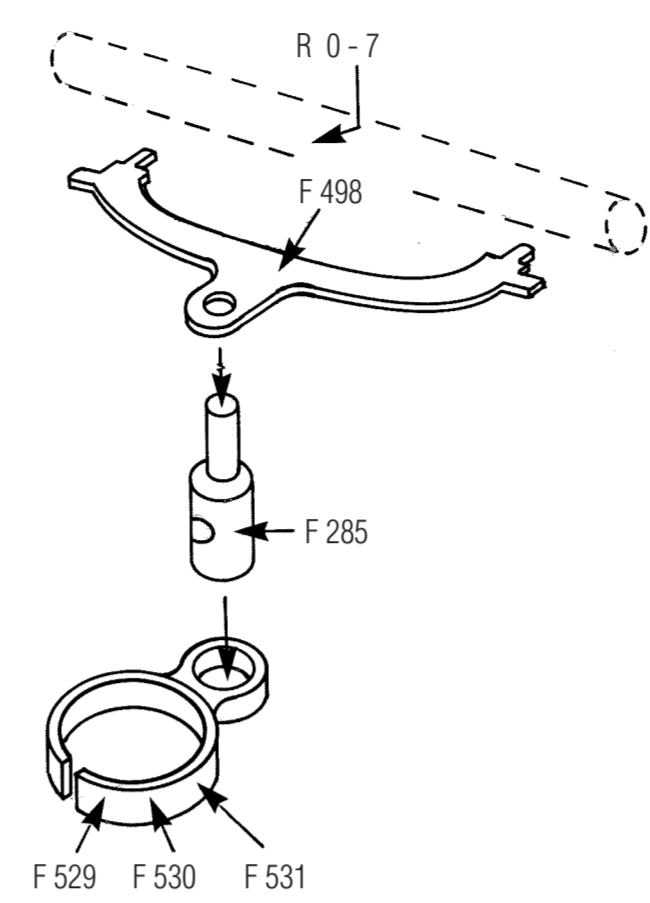
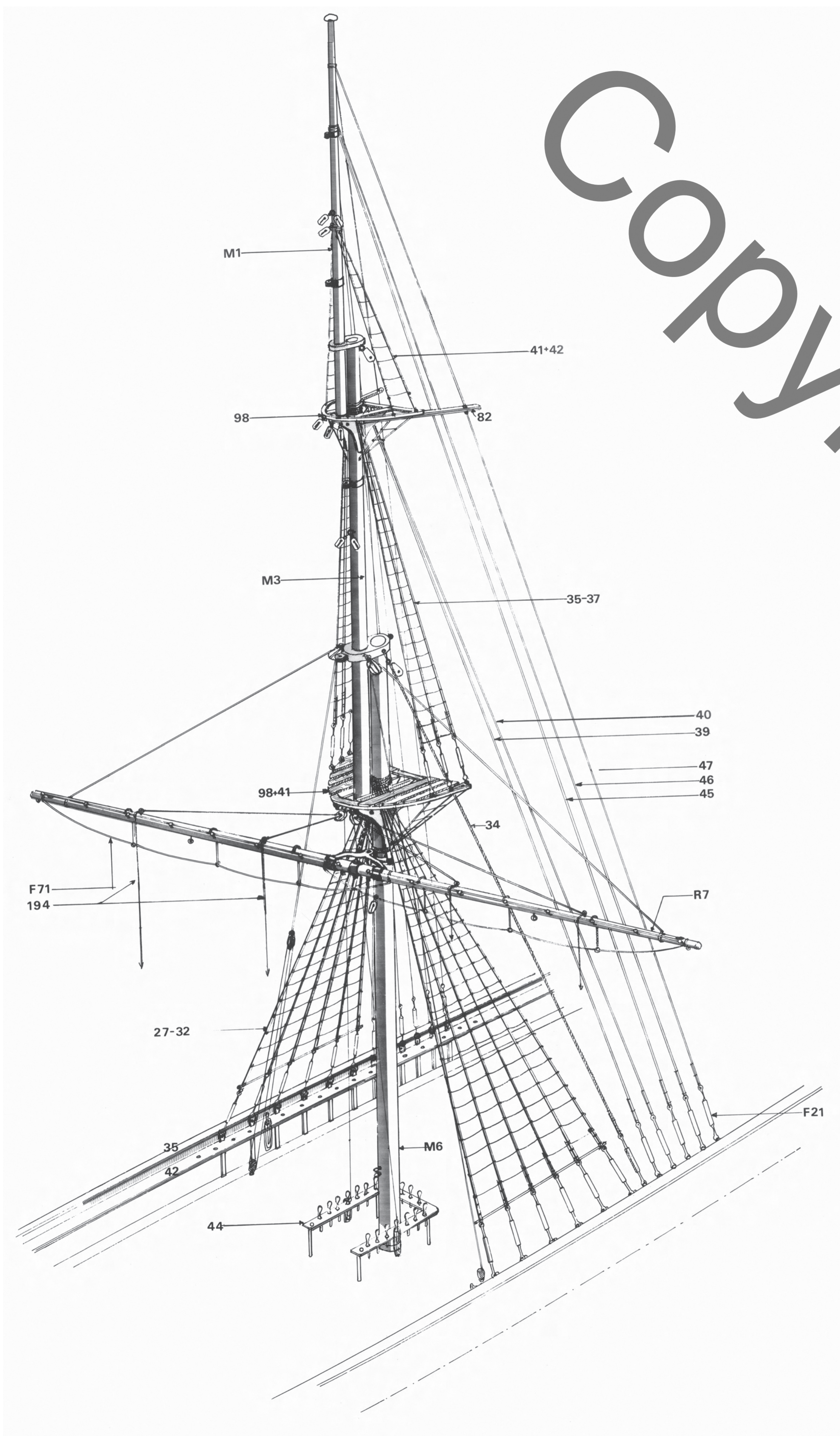




Drawn by:	S.S.H.	Billing Boats - Denmark
Date:	17.04.09.	
NOT IN SCALE	<b>Danmark „5005,, Plan 5</b>	Drawing no. 50-50024







Copyright protected

Drawn by:	S.S.H.	Billing Boats - Denmark
Date:	17.04.09.	
NOT IN SCALE	<b>Danmark „5005,, Plan 6</b>	Drawing no. 50-50024

